

Signal-Combination DUO-LED

**Robust signal-combination with LED
technology for dry and damp rooms**

- ▶ Volume: approx. 90 dB(A)
- ▶ 3 signalling modes
- ▶ Continuous or blink mode
- ▶ Double, 3th and 4th flash
- ▶ Protection degree IP 66
- ▶ LED technology



Application

The signal-combination DUO LED is designed for use in general industrial applications and may be used both indoors and outside.

The signalling device is suitable for both wall and ceiling mounting. It must be mounted in such a way that dust and water cannot settle in the bell mouth.

Conditional on the different modes of the signal-combination DUO-LED is for use in emergency situations as a signalling device.

Design

The device is a very compact unit comprising power supply, LED light and piezo. The base is made of seawater-proof cast aluminium and coated in plastic. The loudspeaker is made of impact and cold-resistant plastic and is mounted firmly on the housing. The cap of the LED light forms the housing cover and is made of polycarbonate.

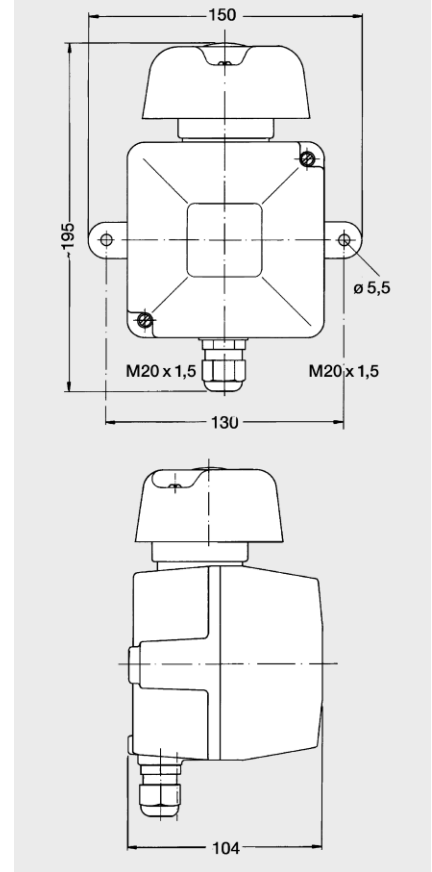
Robust signal device installed in cable-stock

The loudspeaker is made of impact and cold-resistant plastic and is mounted firmly on the housing.



Technical specifications

Housing	Aluminium
Cap	red, amber, green, blue, clear
Protection degree	IP 66
Flash modes	Blinking, continuous or flash mode
Volume	approx. 90 dB(A)
Acoustic signalling device	Piezo disc
Temperature range	-20°C up to +60°C
Weight	0.9 kg



*The full article number is made up by appending the colour code for the coloured cap to the article numbers below.

clear	01
red	02
amber	03
green	04
blue	05

Order information

Type	Name	Rated voltage	Tolerance	Art.-no.*
DUO LED	Signal-combination	230 VAC	± 10 %	221 607 .. 10
DUO LED	Signal-combination	24 VDC	± 10 %	221 613 .. 10

Subject to change without notice · Printout 02/09