

Ex-Secondary Receiver

Ex-Headset



Ex-Loudspeaker

Accessories for explosionproof Telephone ExResistTel

- ▶ Ex-Secondary Receiver Set
- ▶ Ex-Headset
- ▶ Ex-Loudspeaker Set

Communication

The Headset-Kit permits the connection of a headset to the explosionproof telephone ExResistTel. The headset improves essentially the communication in ambient noise areas.



Ex-Secondary Receiver Set

Application

The Second Ear Piece Kit permits the connection of a second ear piece to the explosionproof telephone ExResistTel. The second ear piece enables another person to listen in a telephone conversation. Moreover it can be used to reduce considerable disturbances due to ambient noise.

The set consists of:

- Ex-Second ear piece with dynamic receiver inset and spiral connecting cord with cable ends to connect to the ExResistTel.
- Cable gland (M20x1.5) IP66 (Ex e II) to lead the connecting cord into the ExResistTel case
- Bracket and screws to hang up the second ear piece

Operation

The second ear piece is active when you hook off the handset of the telephone ExResistTel. The volume of the second ear piece is changed with the volume of the handset simultaneously. With the +/- keys of the ExResistTel you can change the

volume for the actual conversation. If you want to change the volume of handset and second ear piece permanently use the ExResistTel menu „SETTINGS / HANDSET VOLUME“. The second ear piece is switched off when you hook on the handset of the ExResistTel.

Technical Data

Case material	Polyurethane-elastomers
Protection category	IP54
Dimension	approx. 100 x 68 x 50 mm
Weight	approx. 0.2 kg
Connecting cord	spiral cord, 2 wires
Operating temp. Range	-20°C to +60°C
Transport temp. Range	-20°C to +70°C
Storage temp. Range	-20°C to +70°C
Type of protection	II 2G Ex ia IIC T6

Ex-Headset

Application

The Headset-Kit permits the connection of a headset to the explosionproof telephone ExResistTel. The headset improves essentially the communication in ambient noise areas. It protects against harmful ambient noise. It permits telephone communication during activities where both hands are needed.

The kit consist of:

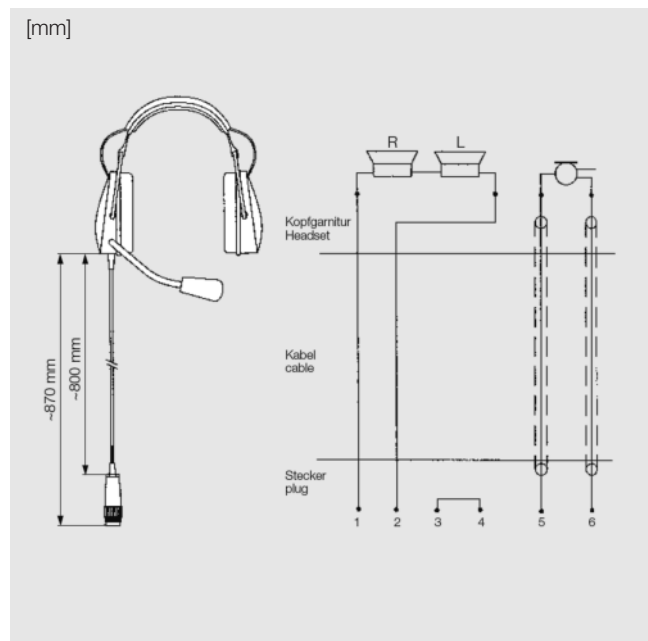
- Headset with dynamic receiver insets, noisecompensating electret nearfield response microphone with windshield and gooseneck, as well as 80 cm smooth cord with connecting plug.
- A14 m long connecting cord with a connecting jack at one end and with wireends with wireend sleeves at the other end to connect to the ExResistTel.
- Cable gland M20x1.5 (Ex e II) to lead the connecting cord into the ExResistTel.
- bracket and screws to hang up the connecting cord and the headset.

Operation

Connect the plug of the headset to the jack of the connecting cord and put on the headset. Adjust the height of each headset muff equally on both sides while holding the headband down on the top of the head until the ear cushions have a light and comfortable fit. The headband should sit straight and comfortable on the top of the head. Adjust the flexible gooseneck so that the microphone is positioned at a distance of approximately 5 mm (0.2") in front of your lips. Optimal voice transmission and the best possible noise compensation are then provided. If the headset has been connected correctly, the

headset mode replaces the handsfree mode of the ExResistTel. For this reason the handsfree mode of the ExResistTel is not possible with connected headset. If you switch on the ExResistTel with the loudspeaker key you are operating in headset mode. With the +/- keys of the ExResistTel you can change the receiving volume of the headset for the actual conversation. If you want to change the receiving volume of the headset permanently use the ExResistTel menu „SETTINGS_HEADSET VOLUME“.

Dimensions



Ex-Loudspeaker Set

Application

The Ex-Loudspeaker Kit permits the connection of a loudspeaker to the explosionproof telephone ExResistTel. The loudspeaker enables a particularly loud rendition of the ringer sound and of the receiving signal in the operating modes „open listening“ and „handsfree“ of the telephone.

The kit consist of:

- Dynamic explosionproof loudspeaker in a plastic housing with cable gland and connection box.
- Cable gland (M20x1.5) IP66 (Ex e II) to lead a speaker cable into the ExResistTel case

(speaker cable is not within the scope of delivery)

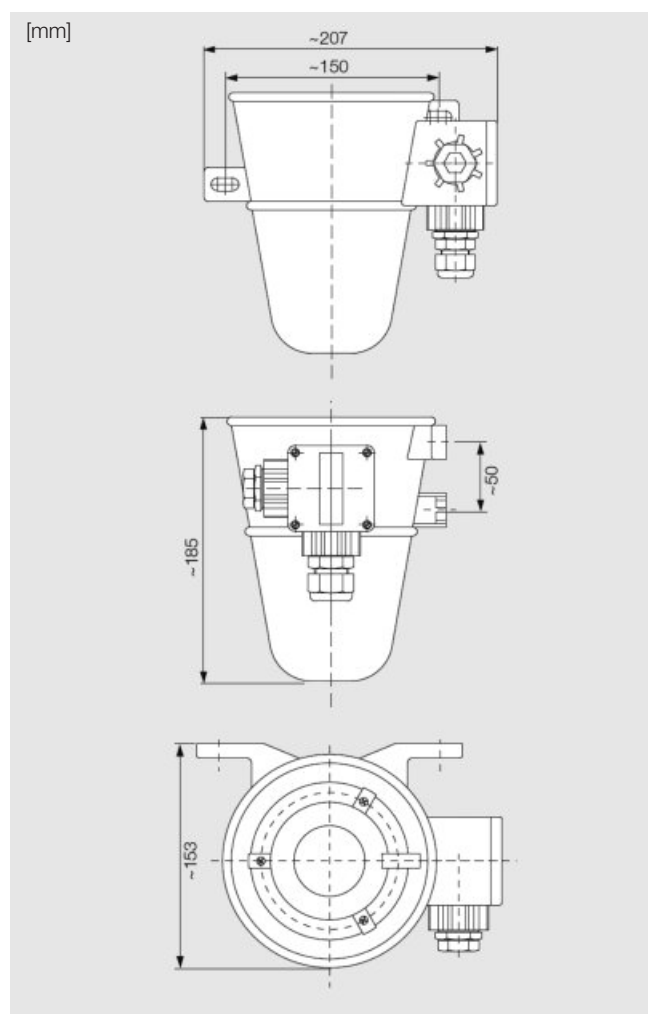
Technical Data

Case material	Polyamide 12
Protection category	IP54
Insulation class	II
Dimensions	approx. 153 x 185 x 193 mm
Weight	approx. 1.1 kg
Terminal clamping range	up to 4 mm ² solid up to 2.5 mm ² stranded
Cable gland	M20 x 1.5 (Ex e II) for cable diameter from 5 to 9 mm
Sealing plug	M20
Rated power	300 mW
Max. loudness with ExResistTel (1m distance)	Ringer max 93 dB(A) Open listening / handsfree 81 dB(A)
Impedance	45 Ω
Operating temperature range	-25°C to +60°C
Transport temperature range	-25°C to +70°C
Storage temperature range	-25°C to +70°C
Type of protection	II 2G Ex ib IIC T5 II 2 D Ex ibD 21 T100°C

Operation

The loudspeaker is switched on and off via the ExResist-Tel menu „SETTINGS / EXT. SPEAKER“. If the loudspeaker is switched on, the ringer sound is output via the loudspeaker when the telephone is calling. The set up of the ringer signal is described in the operation instructions of the ExResistTel. In the operating modes „open listening“ and „handsfree“ of the telephone the receiving signal is output via the loudspeaker. With the +/- keys of the ExResistTel you can change the volume for the actual conversation. If you want to change the volume of the loudspeaker permanently use the ExResistTel menu „SETTINGS_SPEAKER VOLUME“. The loudspeaker is switched off when you hook on the handset of the ExResistTel or push the loudspeaker key.

Dimensions



Order Information

Name	Art. no.
Ex-Secondary Receiver Set	112 861 03
Ex-Headset	112 861 04
Ex-Loudspekerr Set	112 861 05

Subject to change without notice · Printout 01/11