

Solid-State Limiter

B3LT1649



The data should be read in conjunction with the Duplexer Devices Preamble.

DESCRIPTION

The B3LT1649 is a solid-state limiter which provides effective receiver protection at power levels up to 25 kW.

A filter network is included to give broadband protection against magnetron-generated spurious and second harmonic signals.

CHARACTERISTICS (at 20 °C ambient)

| | | |
|---------------------------------|--------------|--------|
| Frequency range | 9.36 to 9.46 | GHz |
| Return loss (see note 1) | 20 | dB min |
| Insertion loss (see note 1) | 1.0 | dB max |
| Total peak leakage (see note 2) | 100 | mW max |
| Recovery to -3 dB (see note 2) | 1.3 | µs max |

MAXIMUM AND MINIMUM RATINGS

| | Min | Max | |
|----------------------|-----|-------|----|
| Input power (peak) | - | 30 | kW |
| Duty ratio | - | 0.001 | |
| Pulse duration | - | 1.5 | µs |
| Ambient temperature: | | | |
| storage | -55 | +90 | °C |
| operating | -40 | +90 | °C |

GENERAL

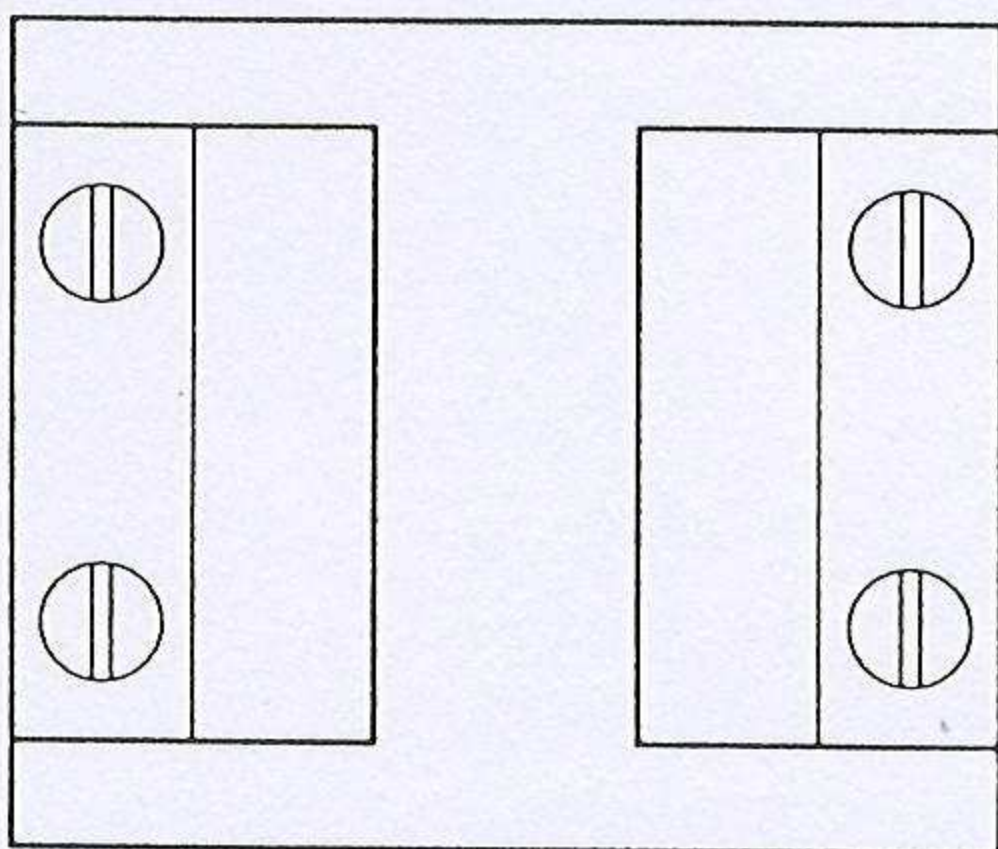
| | |
|--------------------|---------------------|
| Overall dimensions | 41 x 41 x 35 mm nom |
| Waveguide size | WG16 (WR90) |
| Coupler | mates with UG39/U |
| Finish | aluminium |
| Mounting position | any |
| Net weight | 100 g approx |

NOTES

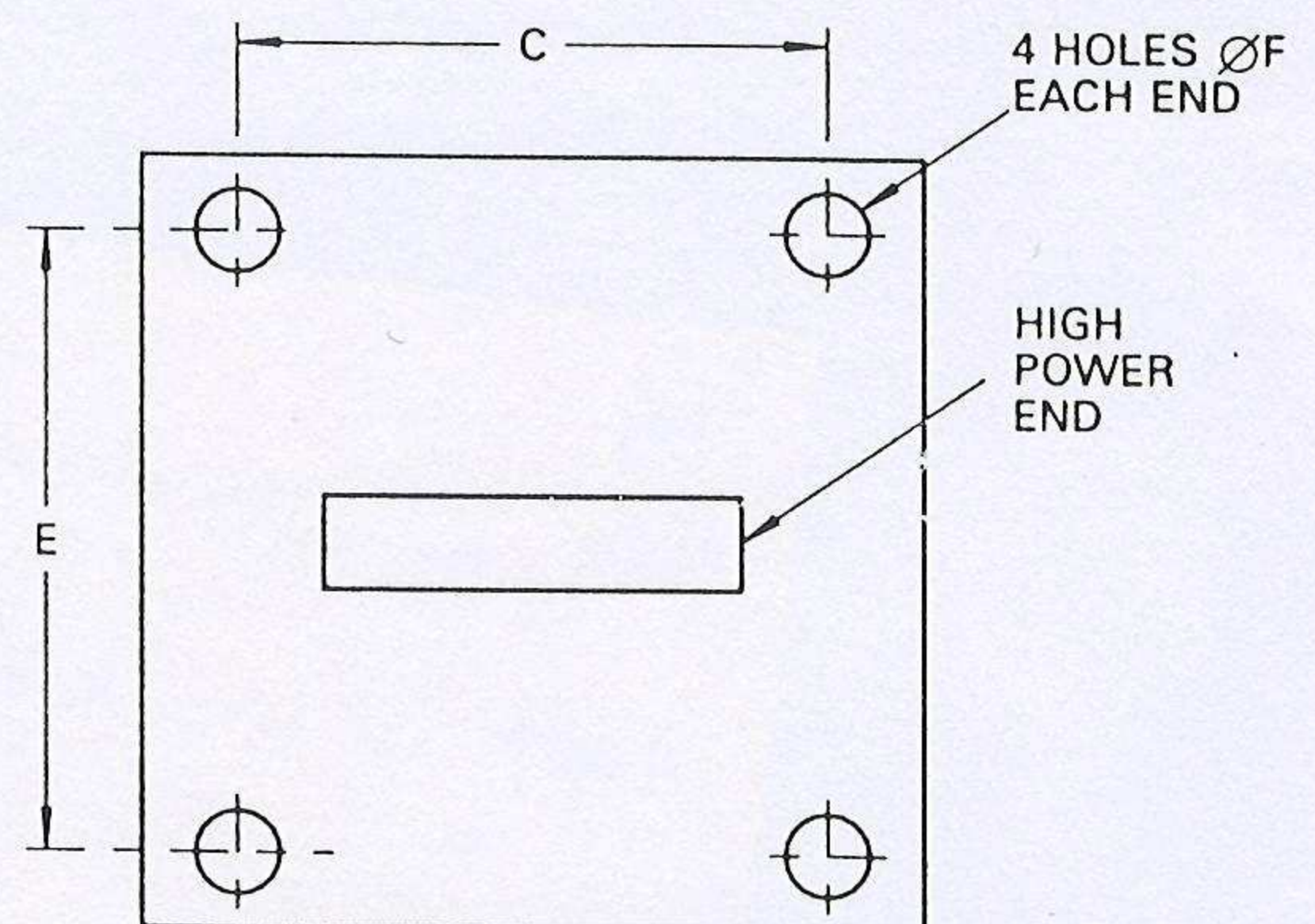
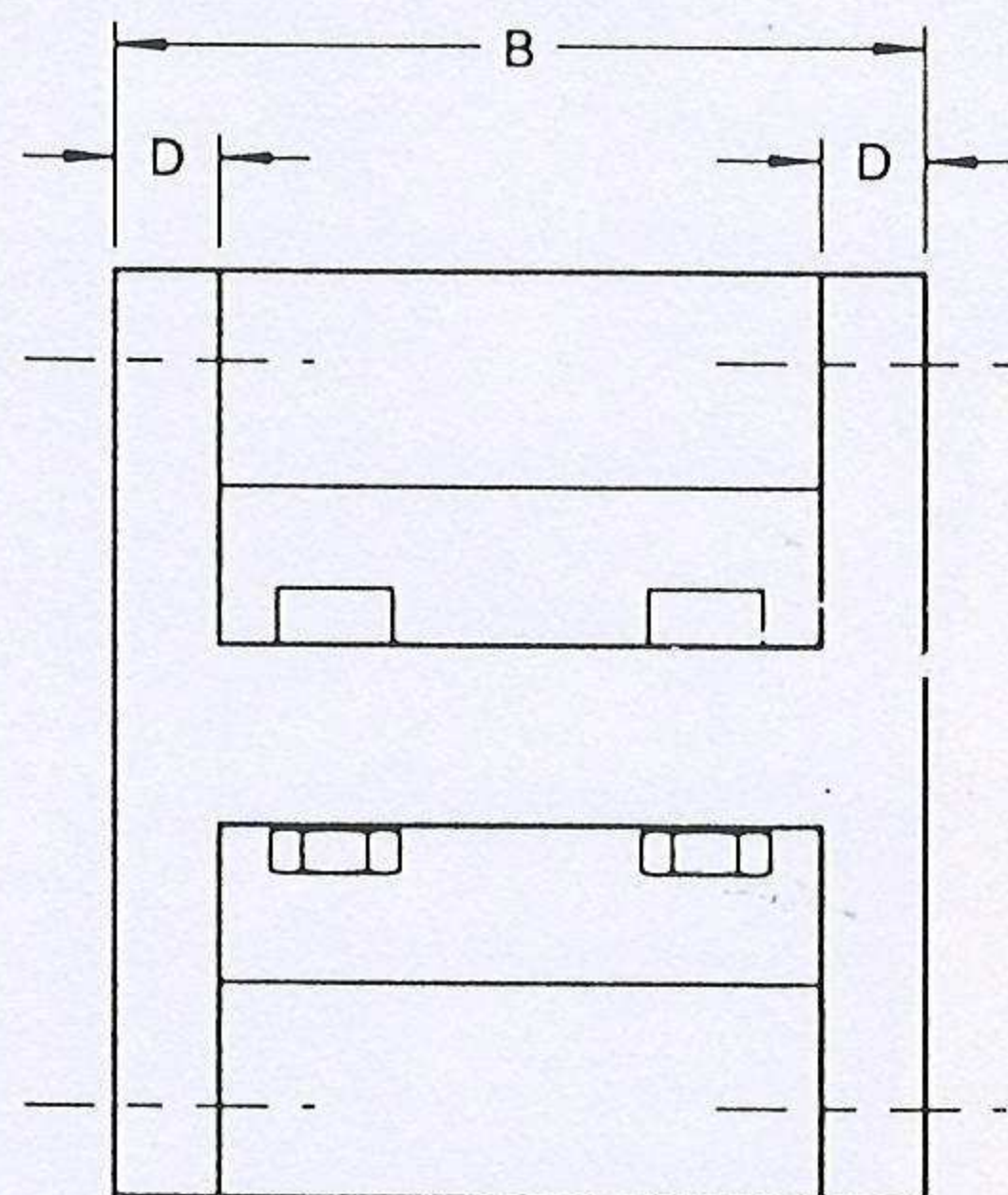
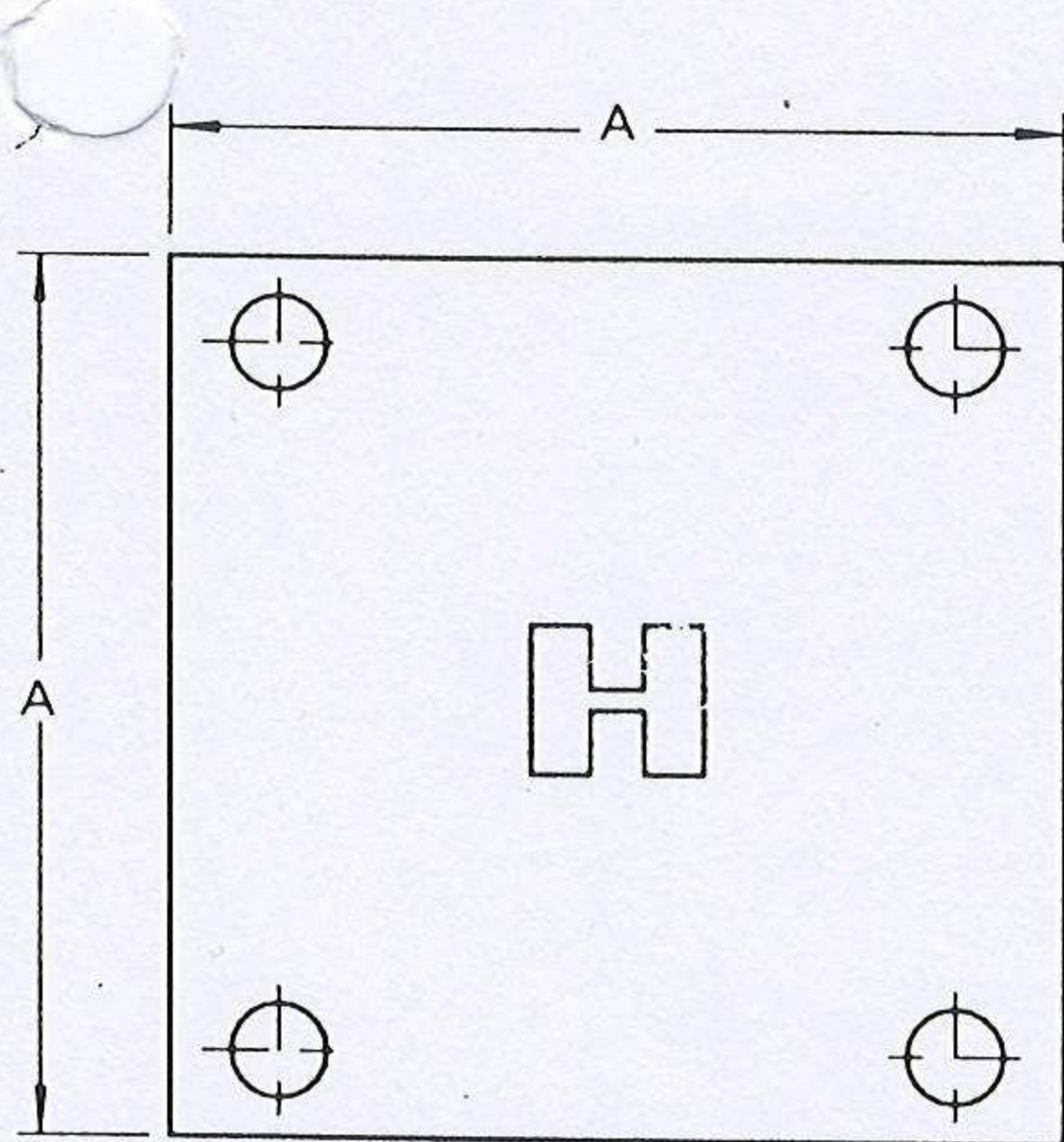
1. Measured at a power level below that at which the limiter begins to self-bias.
2. Measured at 25 kW peak, pulse duration 1.0 µs, 1000 p.p.s.

OUTLINE (All dimensions without limits are nominal)

7202A



| Ref | Millimetres |
|-----|-------------|
| A | 41.0 |
| B | 35.0 ± 0.2 |
| C | 31.0 ± 0.1 |
| D | 3.9 |
| E | 32.5 ± 0.1 |
| F | 4.3 ± 0.1 |



Whilst EEV has taken care to ensure the accuracy of the information contained herein it accepts no responsibility for the consequences of any use thereof and also reserves the right to change the specification of goods without notice. EEV accepts no liability beyond that set out in its standard conditions of sale in respect of infringement of third party patents arising from the use of tubes or other devices in accordance with information contained herein.



Waterhouse Lane, Chelmsford, Essex CM1 2QU, England
 Telephone: (01245) 493493 Telex: 99103 Fax: (01245) 492492
 Subsidiary of the General Electric Company, p.l.c. of England