

# X-Band Junction Circulator

B3JC1648

# EEV

## DESCRIPTION

The B3JC1648 is a 3-port, H-plane, X-band junction circulator designed for the low-cost marine radar market.

## SPECIFICATION

### Electrical (Over operating temperature range)

Frequency range	9.3 to 9.5	GHz
Return loss (see note 1)	20	dB min
Insertion loss	0.4	dB max
Isolation	20	dB min
Power handling (see note 2)	10	kW peak
	10	W mean

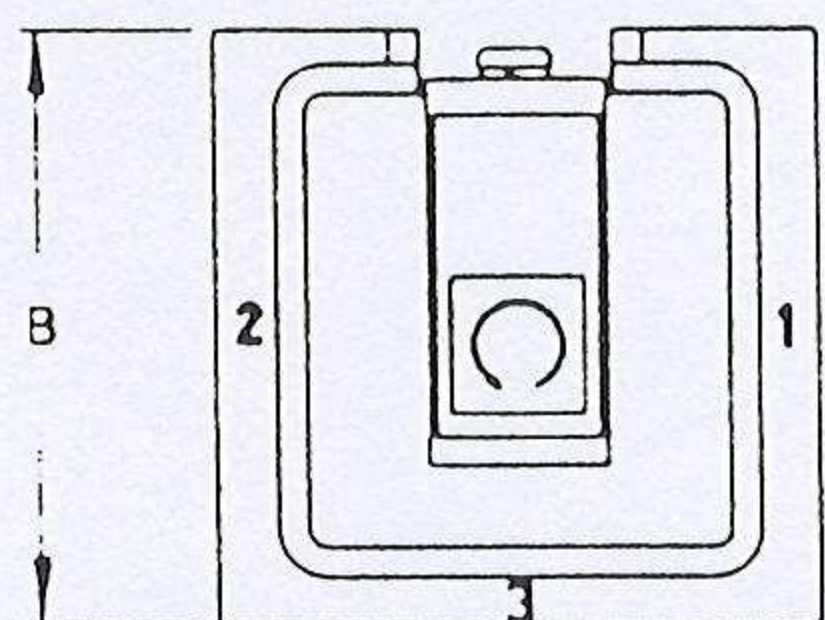
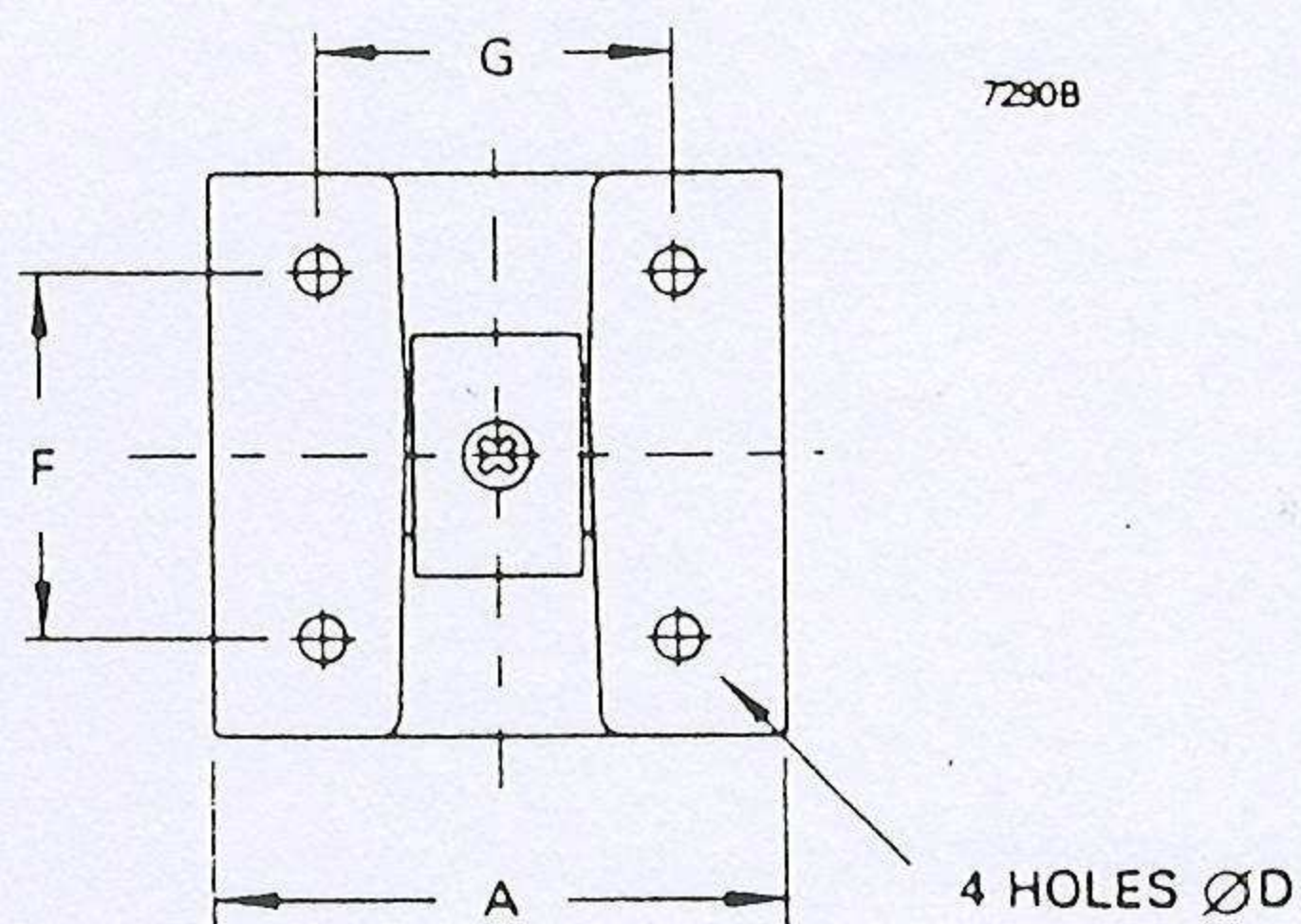
## Mechanical

Waveguide	WG16
Material	aluminium alloy
Finish	Alocrom
R.F. flanges	to mate with UG135/U MIL-F-3922/54C PBR100
Weight	150 g approx

## Environmental

Operating temperature range	-30 to +75	°C
Storage temperature range	-40 to +90	°C

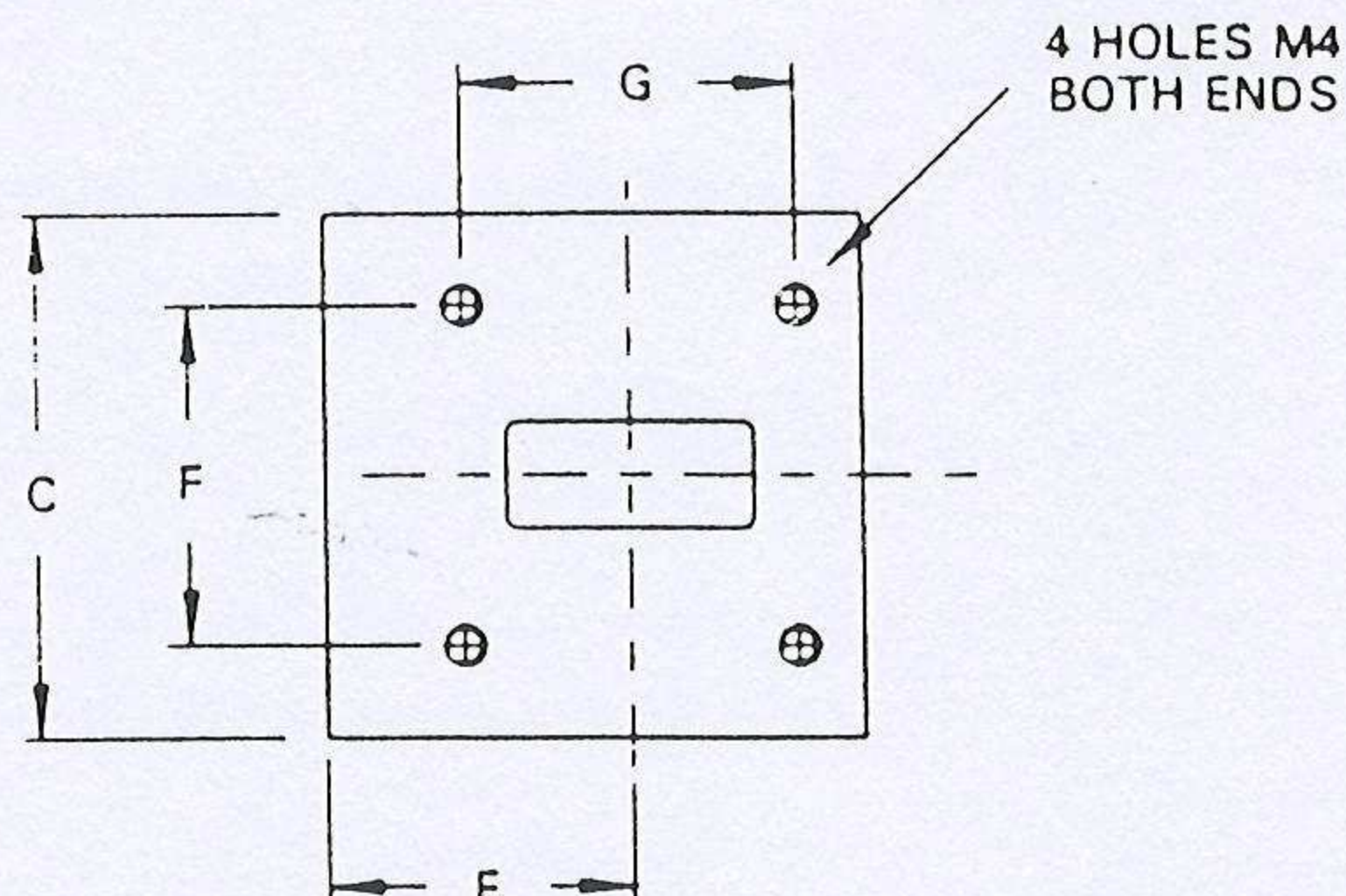
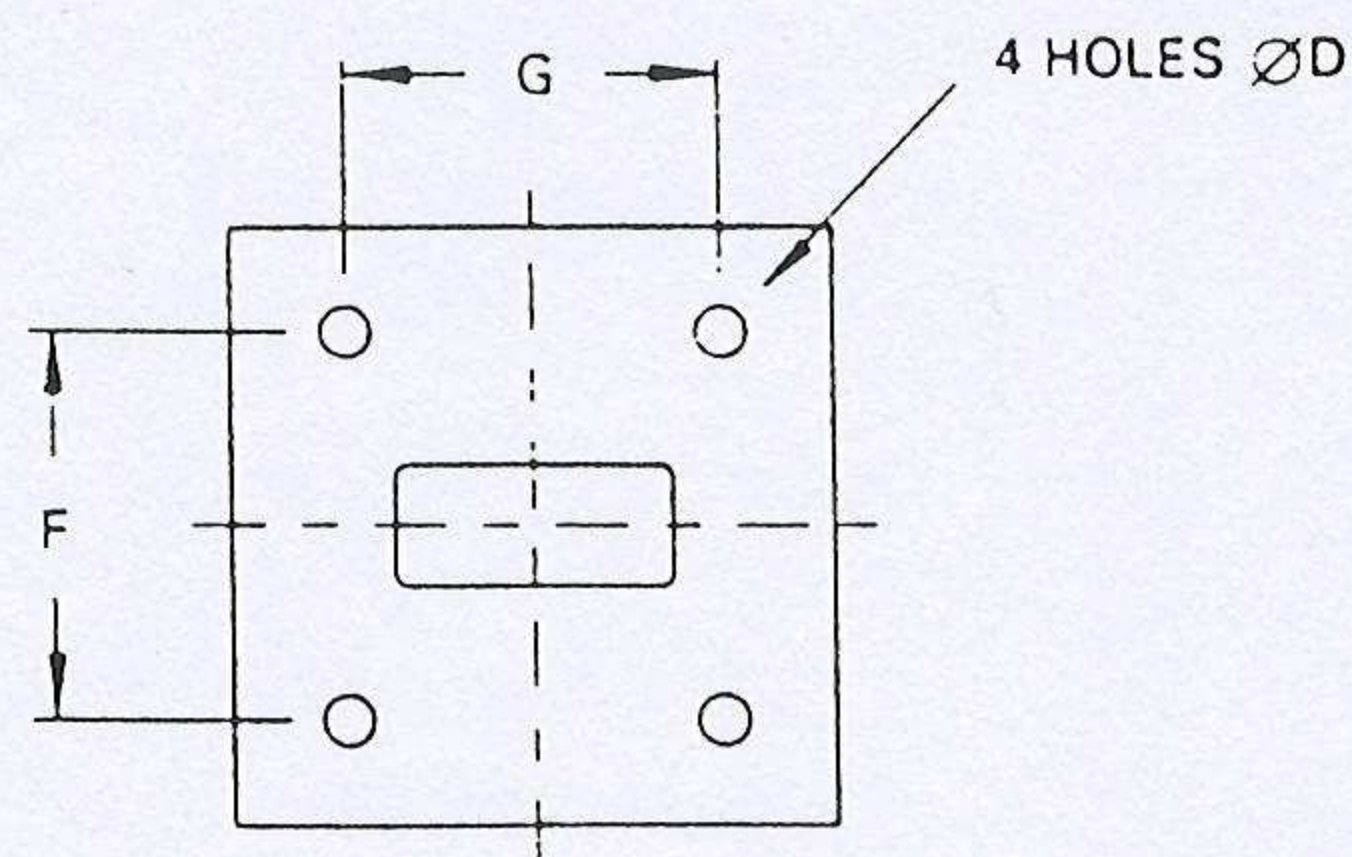
## OUTLINE



## NOTES

1. Unused ports terminated with a matched termination.
2. Output port terminated with v.s.w.r. 2.0:1 maximum.
3. The protective tape covering the waveguide must be removed before assembly.
4. Strong magnetic fields may affect operation. Magnetic components must not come within the device outline.

Ref	Millimetres
A	50.0 ± 0.2
B	50.0 ± 0.5
C	50.0 ± 0.5
D	4.3 + 0.3 - 0.1
E	28.6 ± 0.2
F	32.5 ± 0.2
G	31.0 ± 0.2



Whilst EEV has taken care to ensure the accuracy of the information contained herein it accepts no responsibility for the consequences of any use thereof and also reserves the right to change the specification of goods without notice. EEV accepts no liability beyond that set out in its standard conditions of sale in respect of infringement of third party patents arising from the use of tubes or other devices in accordance with information contained herein.

# EEV

Waterhouse Lane, Chelmsford, Essex CM1 2QU, England  
 Telephone: (01245) 493493 Telex: 99103 Fax: (01245) 492492  
 Subsidiary of the General Electric Company, p.l.c. of England